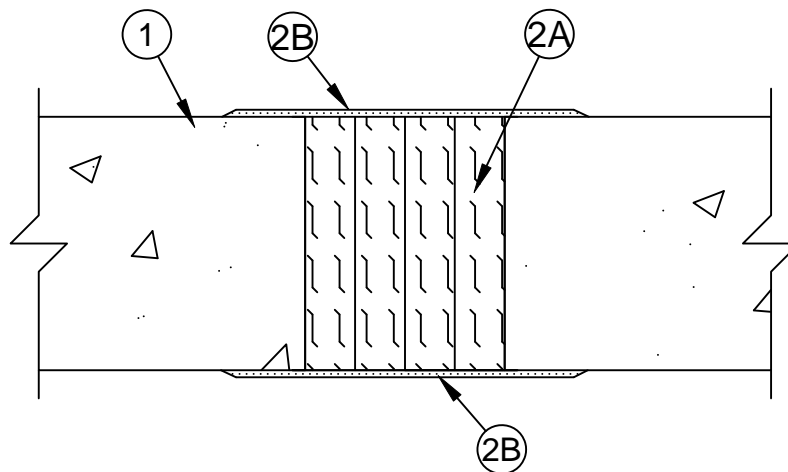


System No. WW-S-1040



ANSI/UL2079	CAN/ULC S115
Assembly Rating - 3 Hr	F Rating - 3 Hr
Max Joint Width - 6 In.	FT Rating - 3 Hr
L Rating At Ambient - Less Than 1 CFM/lin ft	FH Rating - 3 Hr
L Rating At 400 F - Less Than 1 CFM/lin ft	FTH Rating - 3 Hr
	Max Joint Width - 152 mm
	L Rating At Ambient - Less Than 1.55 L/s/m
	L Rating At 204 C - Less Than 1.55 L/s/m



1. **Wall Assembly** - Min 7-5/8 in. (194 mm) thick reinforced lightweight or normal weight (100-150 pcf or 1600-2400 kg/m3) structural concrete. Wall may also be constructed of any UL Classified **Concrete Blocks***.
See **Concrete Blocks** (CAZT) category in the Fire Resistance Directory for names of manufacturers.
 2. **Joint System** - Max width of joint is 6 in. (152 mm). The joint system shall consist of the following:
 - A. **Forming Material*** - Min 4 pcf (64 kg/m3) mineral wool batt insulation installed in joint opening as a permanent form. Pieces of batt cut to min width of 7-5/8 in. (194 mm) and installed edge-first into joint opening, parallel with joint direction, such that batt sections are compressed min 25 percent in thickness and such that the compressed batt sections are flush with each surface of the wall. Adjoining lengths of batt to be tightly-butted with butted seams spaced min 16 in. (406 mm) apart along the length of the joint.
INDUSTRIAL INSULATION GROUP L L C - MinWool-1200 Safing
JOHNS MANVILLE - Safing
ROCK WOOL MANUFACTURING CO - Delta Board
ROCKWOOL MALAYSIA SDN BHD - SAFE
ROXUL INC - SAFE
THERMAFIBER INC - Type SAF
 - B. **Fill, Void or Cavity Material*** - Min 1/8 in. (3.2 mm) wet thickness or 1/16 in. (1.6 mm) dry thickness of fill material applied to cover the surface of the mineral wool batt forming material and to lap min 1/2 in. (13 mm) onto the concrete on each side of the joint opening on both sides of the wall.
SPECIFIED TECHNOLOGIES INC - SpecSeal AS200 Elastomeric Spray
- * Indicates such products shall bear the UL or cUL Certification Mark for jurisdictions employing the UL or cUL Certification (such as Canada), respectively.



Specified Technologies Inc. 210 Evans Way Somerville, NJ 08876

Reproduced courtesy of Underwriters Laboratories, Inc.
Created or Revised: January 18, 2017

