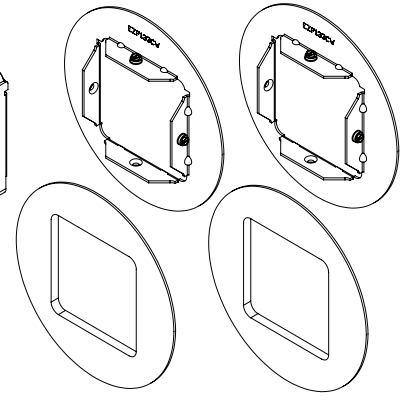
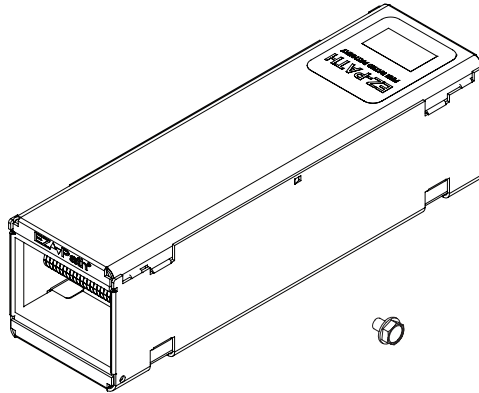


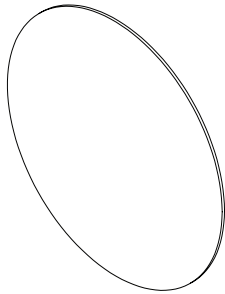
Optional Ground Attachment



Parts Included (Not to Scale)
Device not included in Cat. No. EZP133CW

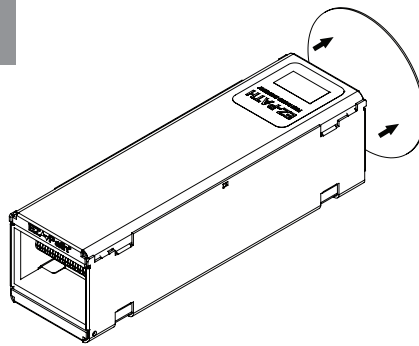
New Work Installations

1



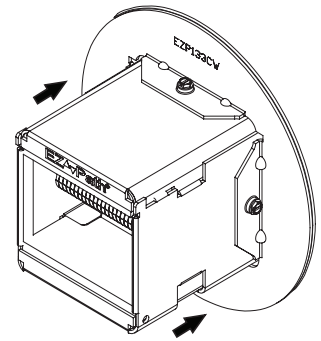
Cut Nom. 4" (102mm) diameter hole
in the wall

2



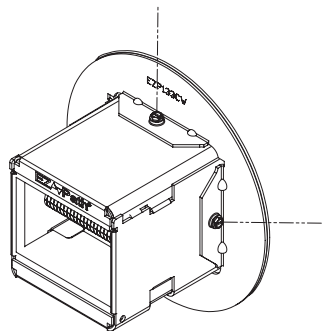
Slide pathway into hole, ends of
pathway to extend equally from wall
surfaces

3



Slide plate and gasket around pathway
on both sides of wall

4



Fasten plates onto pathway on both
sides of wall using any standard
slotted screwdriver, 1/4" open-end or
closed-end wrench, or 1/4" nut driver

Note: For more information on firestop installation, refer to ASTM E3157.

